



PRODUCT CATALOG



Total Damage Prevention™
for the Material Handling Industry

McCue

Total Damage Prevention™

How often has this happened to you? Your steel bollard, rail or angle iron has halted a wayward truck but now it's broken—and so is your concrete floor, your truck, your driver and your goods.

It really doesn't have to be this way.

At McCue we look at every asset from every angle and engineer solutions to protect it. We call our approach 'Total Damage Prevention'.

Whether we're specifying a single product or an end-to-end protection strategy for your premises, we leave nothing to chance. Using innovative designs and material combinations, we deflect, disperse and absorb impacts – turning accidents into incidents.

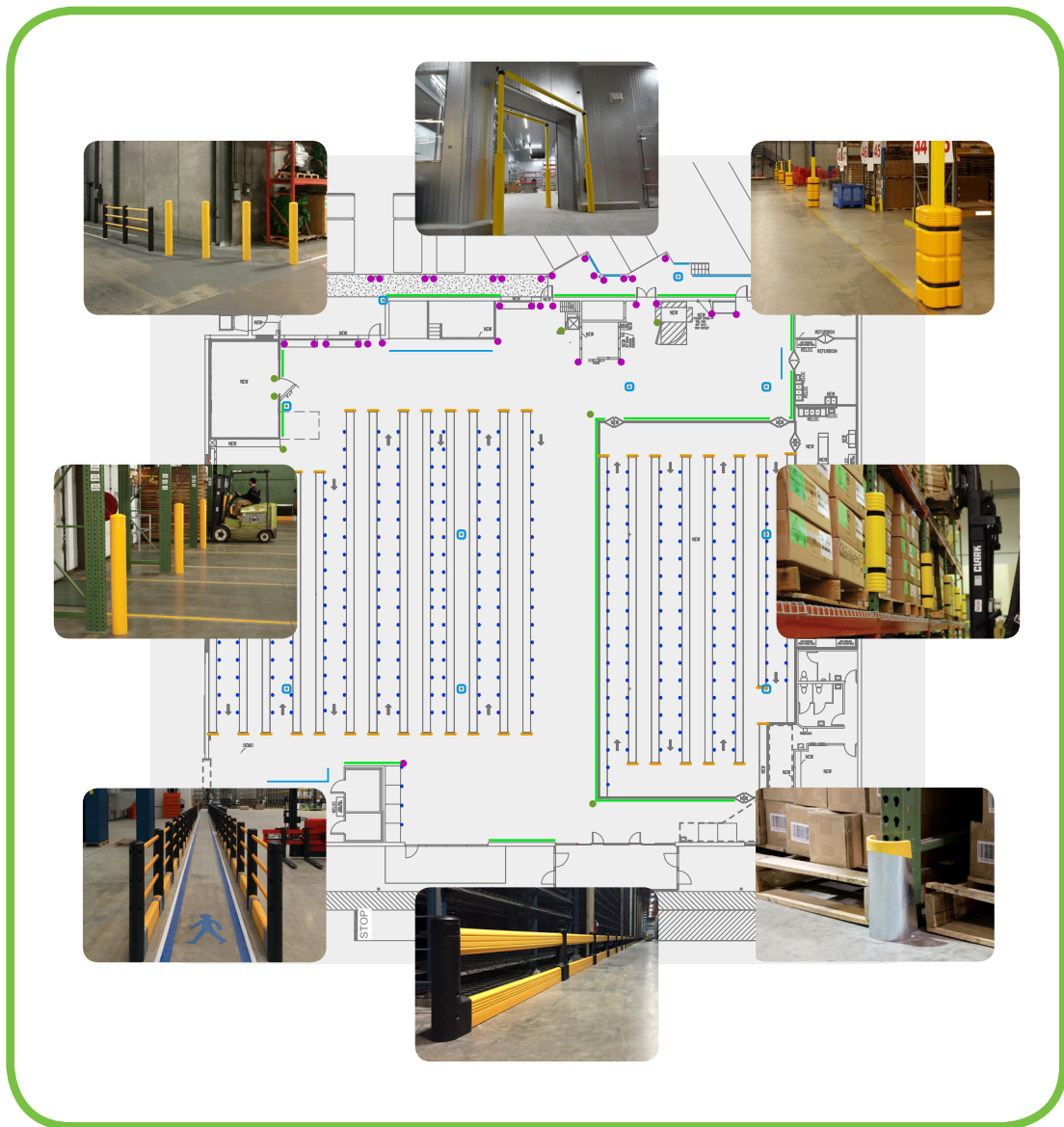
Our products look good, require no painting, are quick and easy to install, and offer proven strength. They include: Bollard Systems, Column Protection, Rack Protection & Barrier Systems.

Greater Safety Through Better Protection

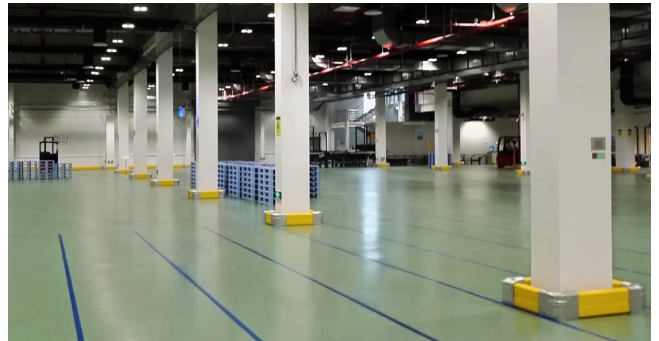
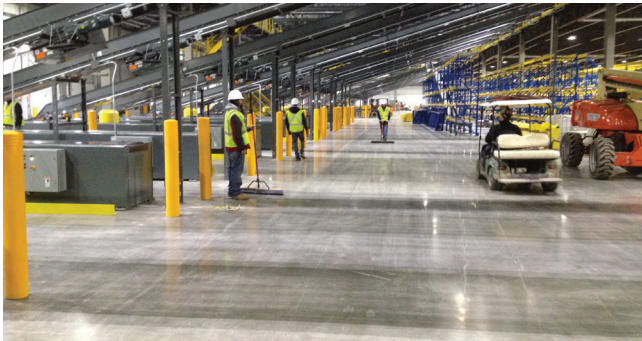
A full range of engineered solutions that protect your people as well as your property and equipment. Self-protecting products with shock displacement and deflection designed to convert **accidents** into **incidents**.

McCue Blueprint

A solution for every corner of your facility: Let us work with you to develop a comprehensive damage prevention blueprint.



Preventing Damage Everywhere



Contents

Bollard Systems

FlexCore® Bollard	6
Deflector Post	8
Goal Post	10
Post & Bollard Cover	12

Pedestrian Protection

Pedestrian Barrier System	14
Pedestrian Barrier System with Crash Barrier	16

Crash Barriers

FlexCore GuardRail	18
Systems Protector	20
Crash Barrier System	22

Racking Protection

Rack End Protector	24
Rack Mounted Guard	26
Shock-Absorbing Rack Guard	28

Column Protection

Column Guard	30
--------------------	----

Signs

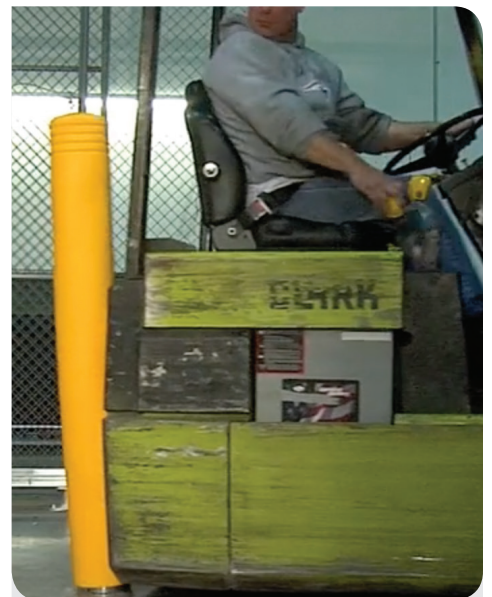
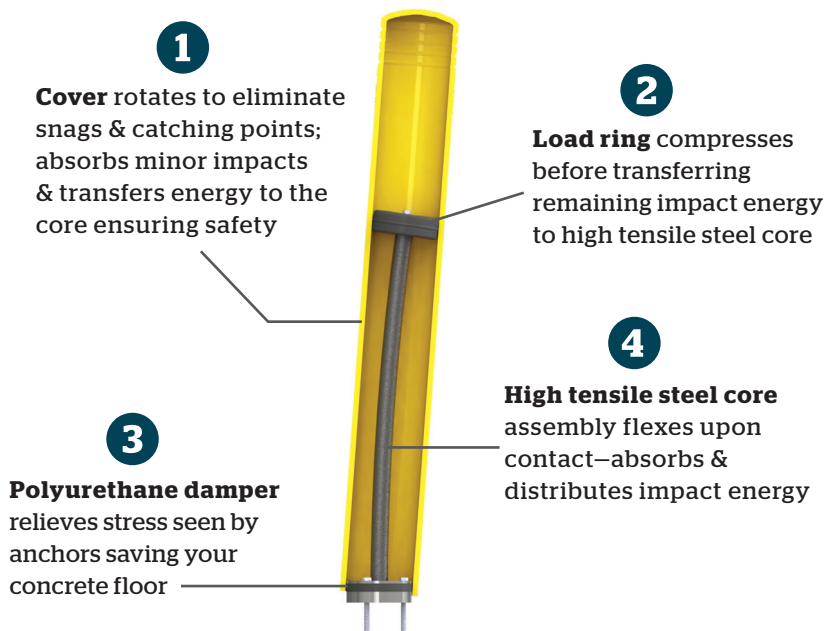
BumperSign	32
------------------	----

FlexCore® Bollard

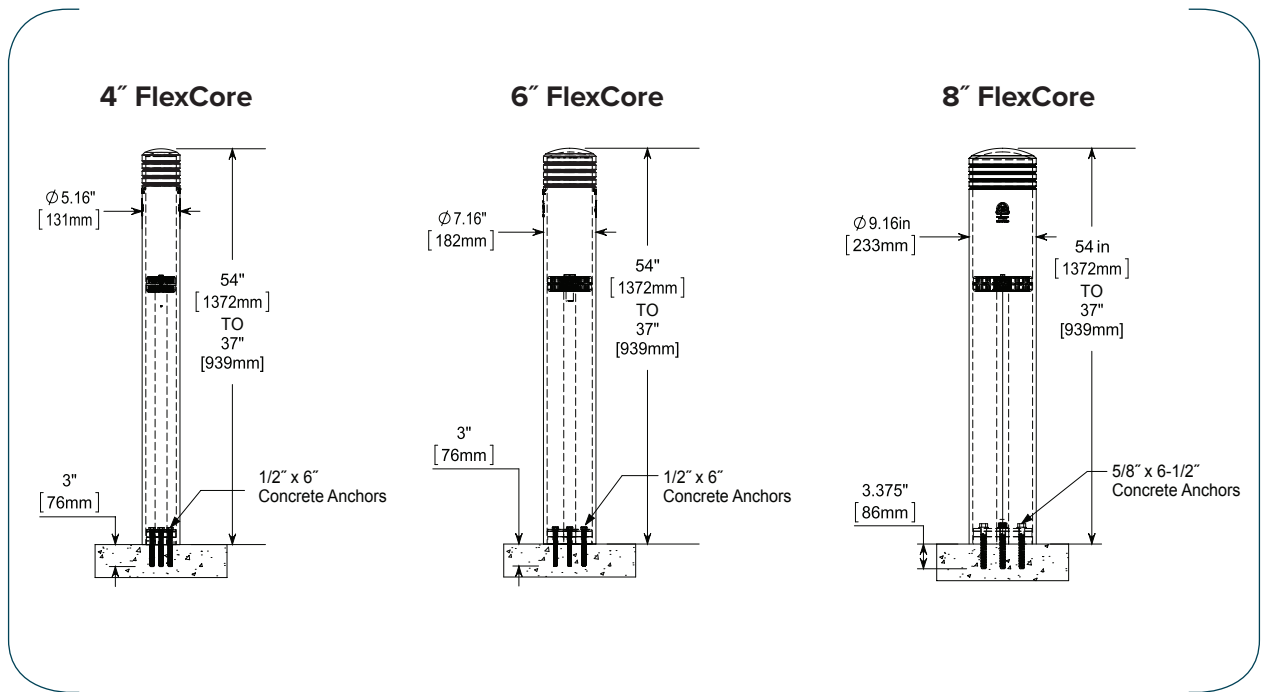
Surface-Mounted, Shock-Absorbing Bollard



4 layers of impact energy absorption for superior performance



Shock-absorbing design—no dents, no need to repaint.



4" FlexCore Bollard

CSFCB-4-COLOR

Materials: 4" diameter HDPE shell (yellow or black), steel core, anchor kit

\$474.99 | 1-24

\$424.99 | 25-49

\$375.00 | 50+

8" FlexCore Bollard

CSFCB-8-COLOR

Materials: 8" diameter HDPE shell (yellow or black), steel core, anchor kit

\$699.99 | 1-24

\$599.99 | 25-49

\$575.00 | 50+

6" FlexCore Bollard

CSFCB-6-COLOR

Materials: 6" diameter HDPE shell (yellow or black), steel core, anchor kit

\$519.99 | 1-24

\$449.99 | 25-49

\$385.00 | 50+

Deflector Post

Floor-Mounted, Impact Deflecting Post



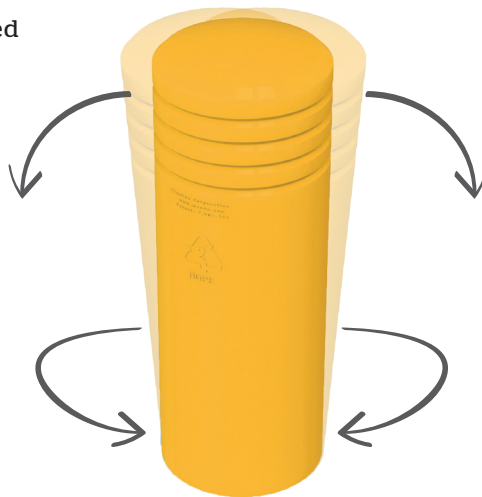
Rotating design deflects damage in high traffic environments

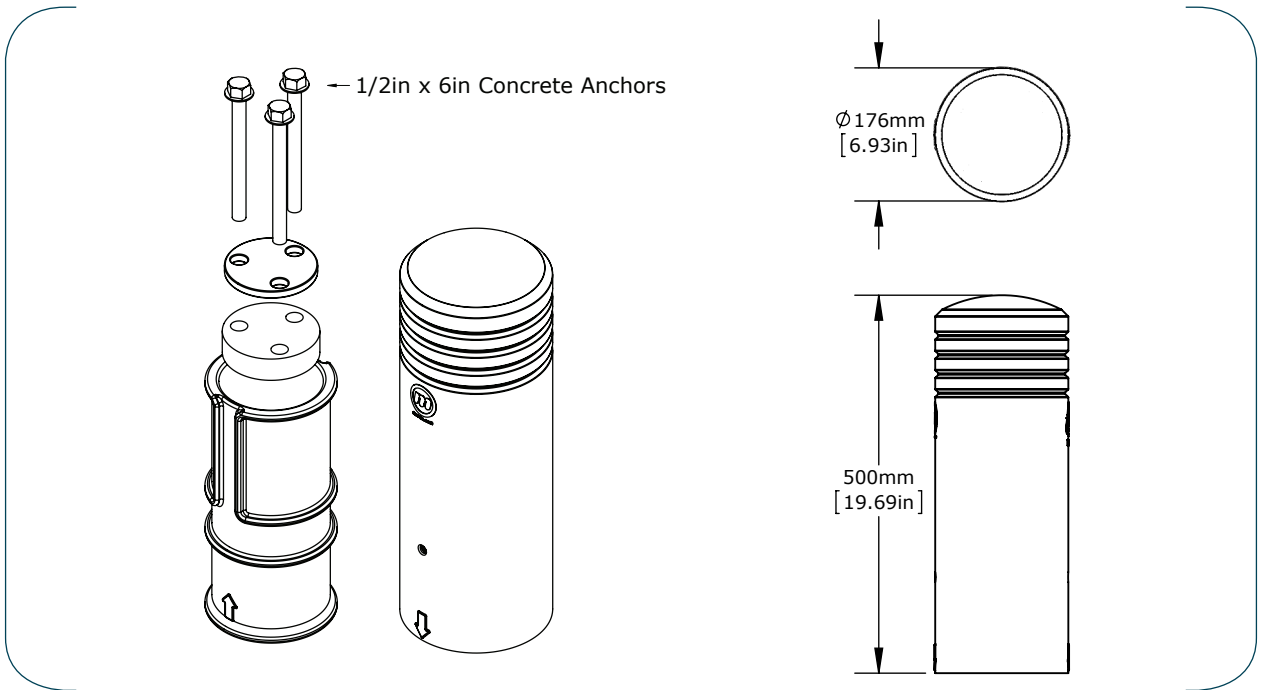
Rotating HDPE shell with nylon bearings spins & rolls when impacted

Domed shell provides a sanitary top eliminating dust & bacteria collecting areas

Ductile Iron & rubber core absorbs direct impacts, preventing damage to your floor and equipment

Engineered to install fast & requires no maintenance, keeping your facility safe





Deflector Post

DP-K-007-307

Materials: HDPE shell, iron core, rubber damper, anchor kit

\$220.00 | 1-49

\$195.00 | 50+



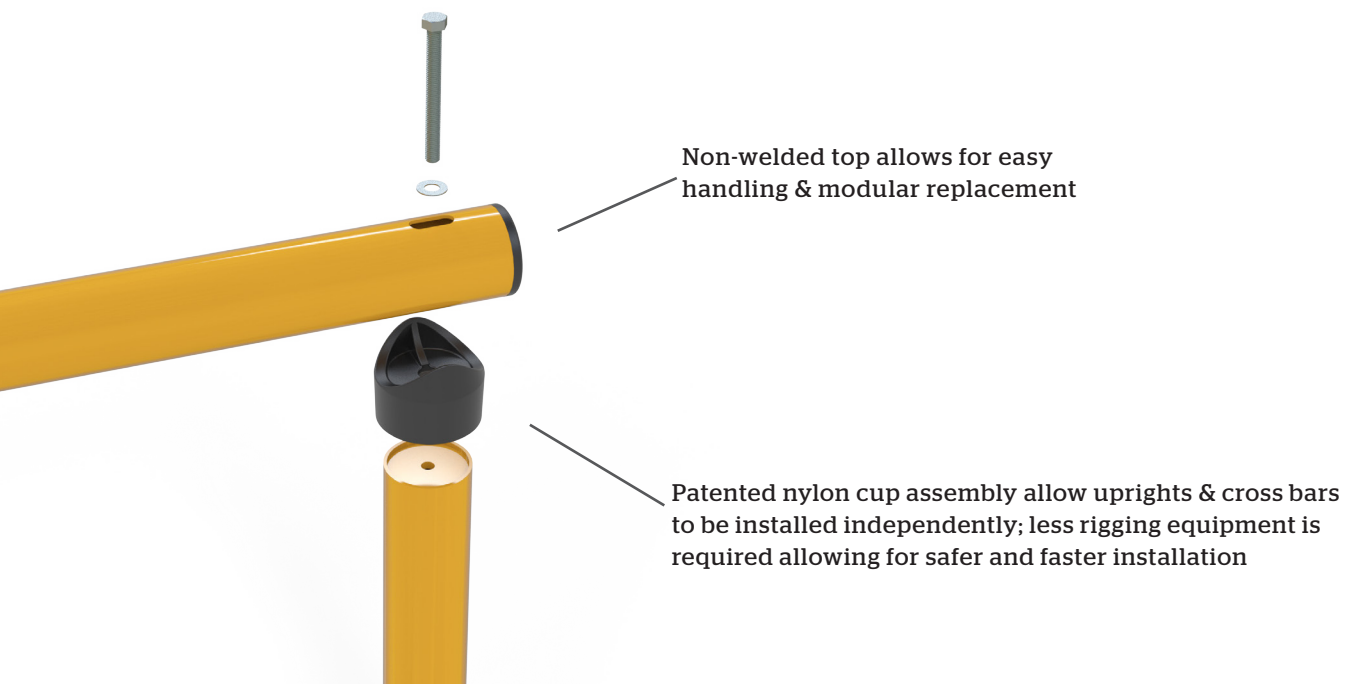
Guides your equipment around high traffic corners to avoid damage.

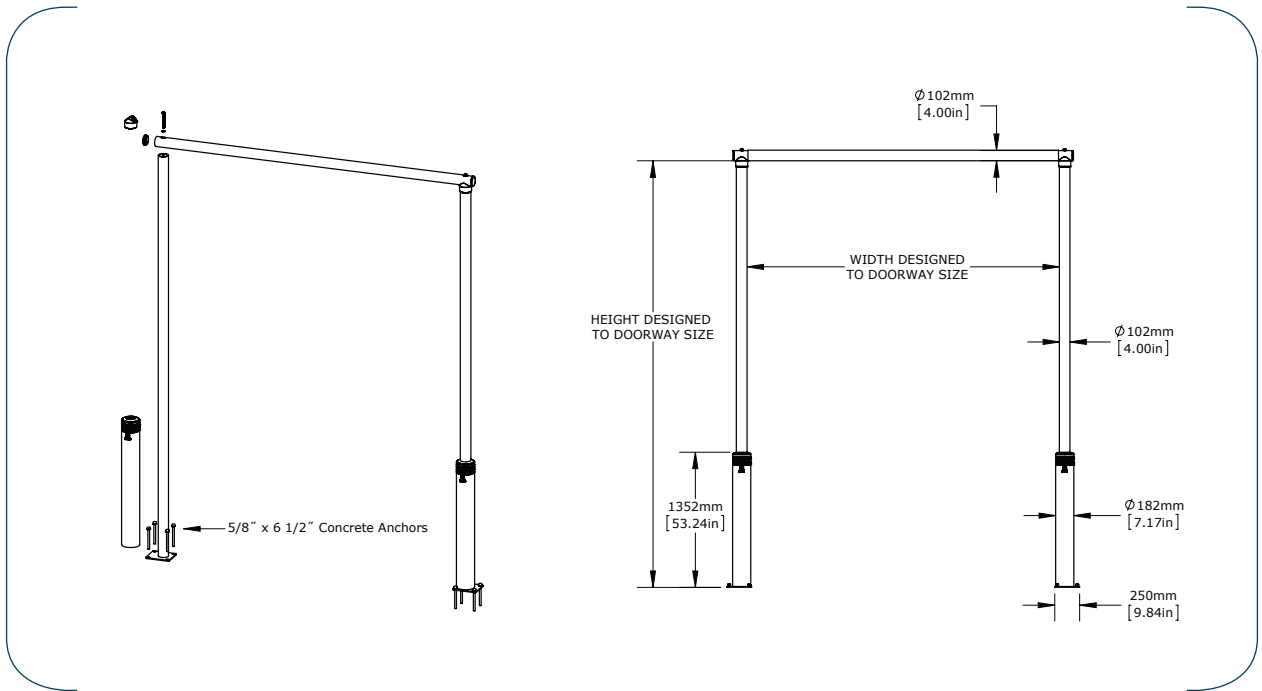
Goal Post

Door Frame Protection



The only goal post system with a replaceable crossbar



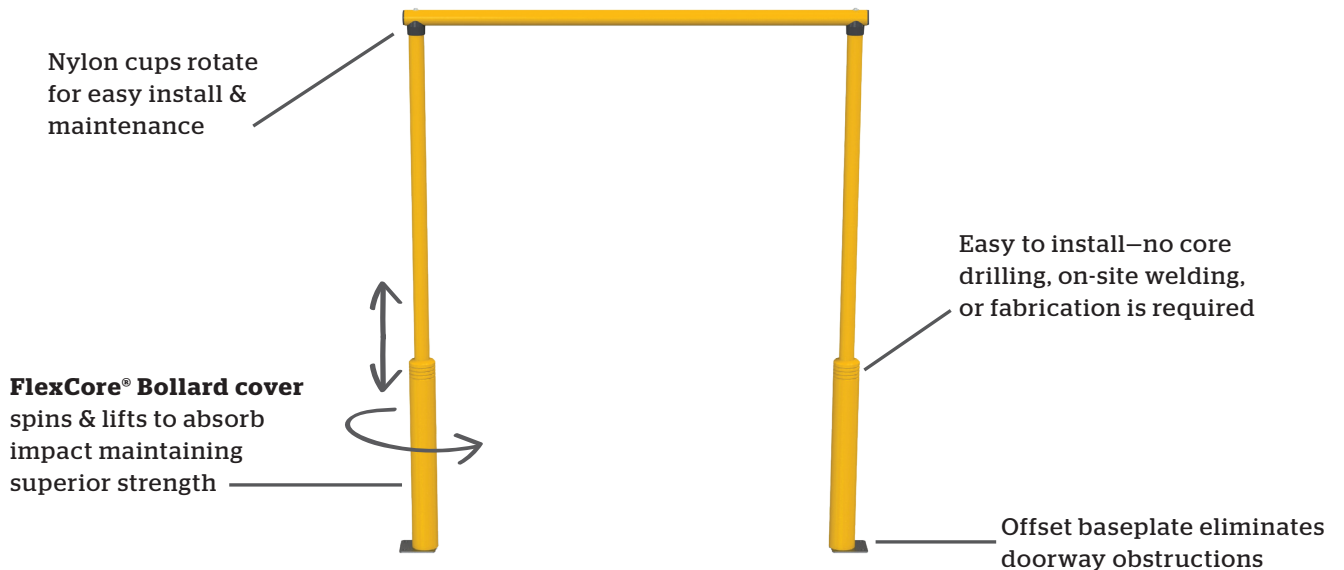


Goal Post Kits

Materials: HDPE shells, HDPE sleeves, steel tubing, nylon cups, anchor kit

How to order: Sizes vary. Width ranging from 8' (2.4 m) to 16' (4.9 m) and heights ranging from 8' (2.4 m) to 16' (4.9 m). Please call for more ordering information.

Call for quote or visit www.mccue.com/GoalPosts

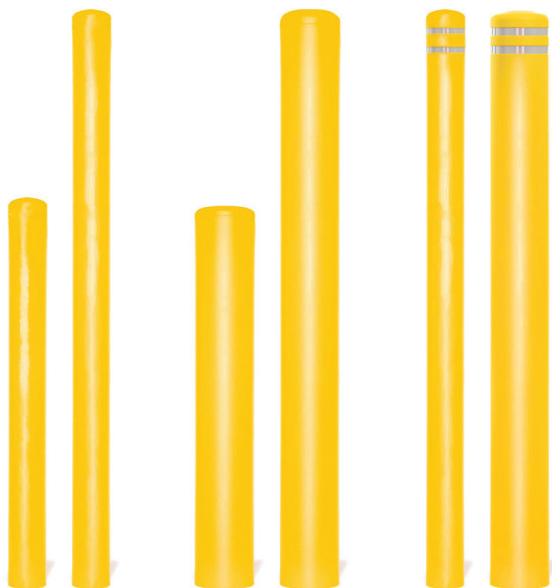


Post & Bollard Cover

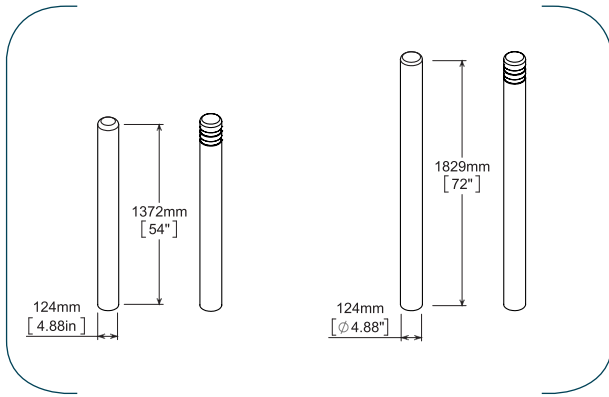
Plastic Post Cover



Cover up those unsightly posts and concrete bollards and eliminate constant repainting



Reflective tape option now available!



4" Post Covers

54" Tall Post Cover

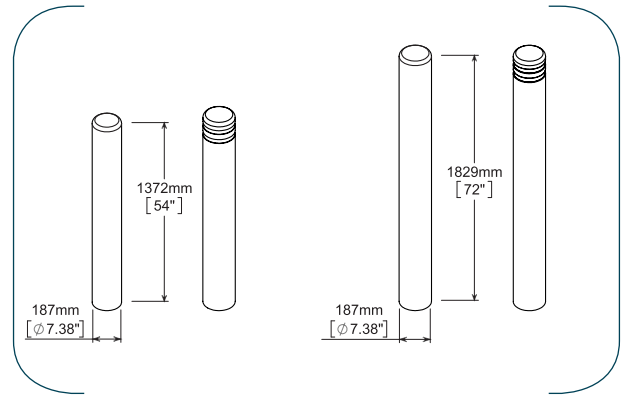
For posts with 4.5" outer diameter
Foam tape included

Standard	Reflective Strips
CSPC-4-54	CSPC-4R-54
\$38.00 1-49	\$42.18 1-49
\$33.04 50+	\$36.68 50+

72" Tall Post Cover

For posts with 4.5" outer diameter
Foam tape included

Standard	Reflective Strips
CSPC-4-72	CSPC-4R-72
\$52.23 1-49	\$57.99 1-49
\$45.42 50+	\$50.43 50+



6" Post Covers

54" Tall Post Cover

For posts with 6.625" outer diameter
Foam tape included

Standard	Reflective Strips
CSPC-6-54	CSPC-6R-54
\$41.43 1-49	\$45.99 1-49
\$36.03 50+	\$39.99 50+

72" Tall Post Cover

For posts with 6.625" outer diameter
Foam tape included

Standard	Reflective Strips
CSPC-6-72	CSPC-6R-72
\$59.41 1-49	\$65.95 1-49
\$51.66 50+	\$57.35 50+

EASY
INSTALLATION



Pedestrian Barrier System

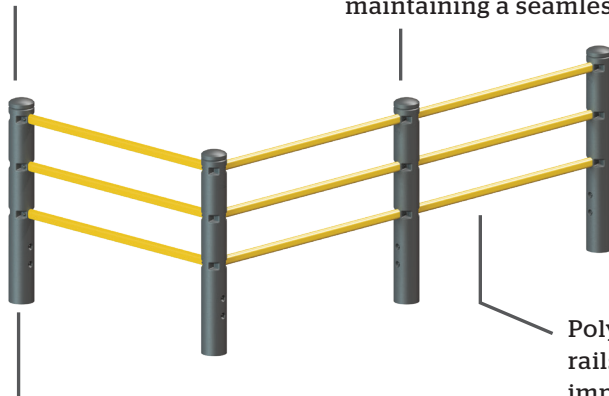
Pedestrian Safety Railing



Shock-absorbing, modular barrier system, protects your people and facility

Shock-diffusing posts

Internal hardware eliminates catching & tripping points maintaining a seamless finish

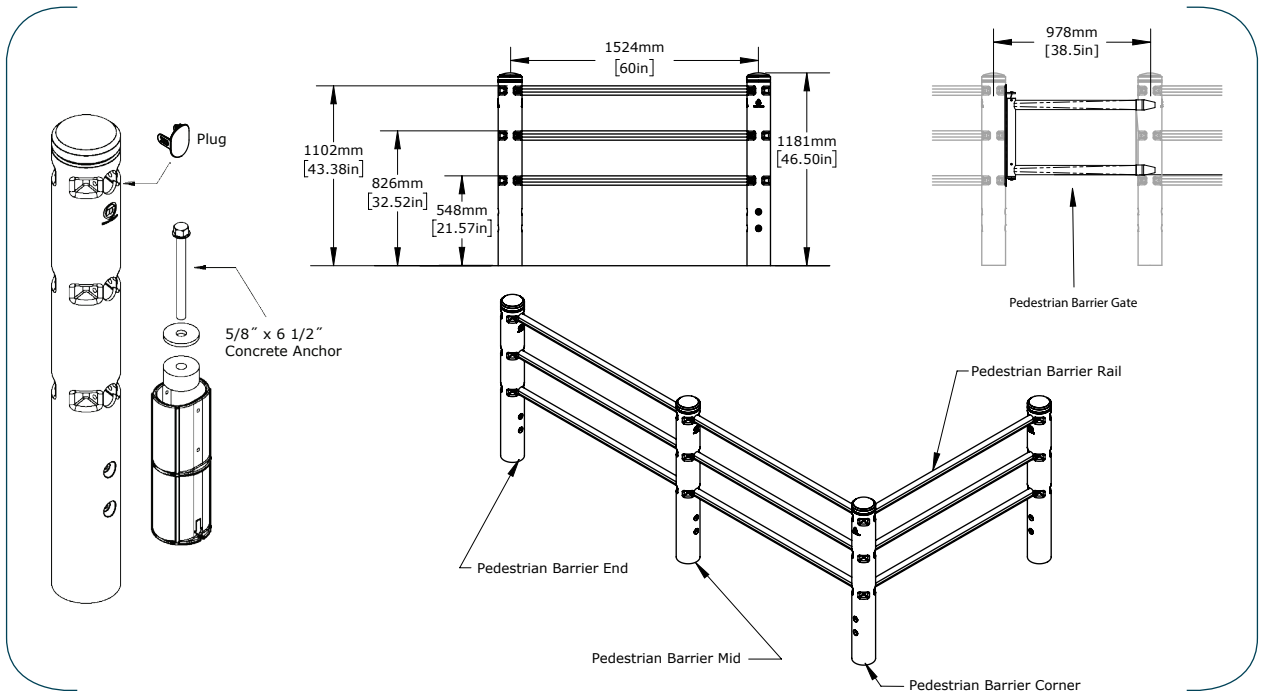


Ductile Iron core is paired with an industrial rubber damper that provides a shock-diffusing rigidity

Polyolefin rails absorb impact energy



Conforms to **OSHA Standard 1910.23** for guarding floor and wall openings with railing and to **IBC Standard 1012** regarding handrails, **including section 1012.3** concerning the ability to grasp handrails.



Pedestrian Posts

- PB-K-END-401 (End)
- PB-K-MID-401 (Middle)
- PB-K-CNR-401 (Corner)

Materials: HDPE shell Post, Ductile Iron core, rubber damper, anchor kit

\$225.00 | 1-99
\$200.00 | 100+

Pedestrian Rail

PB-C-RAL-307

Material: Polyolefin, 58" (1.5 m) length

\$60.00 | 1-99 each
\$50.00 | 100+ each

Pedestrian Barrier Gate

PB-C-GTL-307

Materials: Polypropylene rails, nylon cam, steel hinge & latch. Mounting hardware included. Post not included.

\$345.00 | 1-9
\$300.00 | 10+

Plug

PB-C-PLG-401

Materials: Polypropylene
 Plug for post rail holes

\$2.59 | 1-99
\$2.25 | 100+

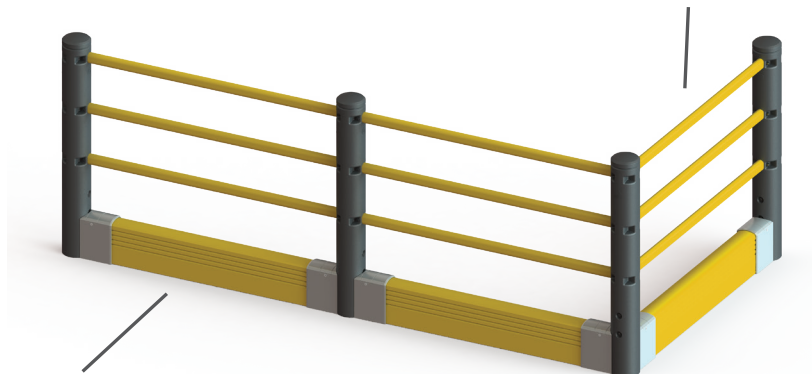
Pedestrian Barrier System with Crash Barrier

Pedestrian Safety Railing With Floor-Mounted Barrier System

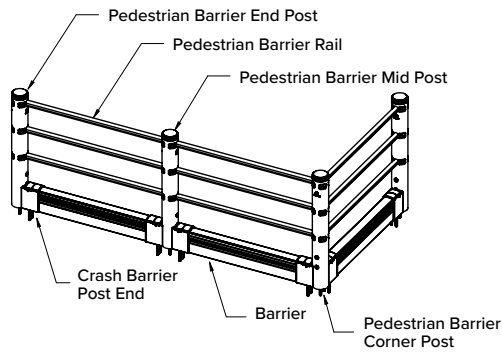
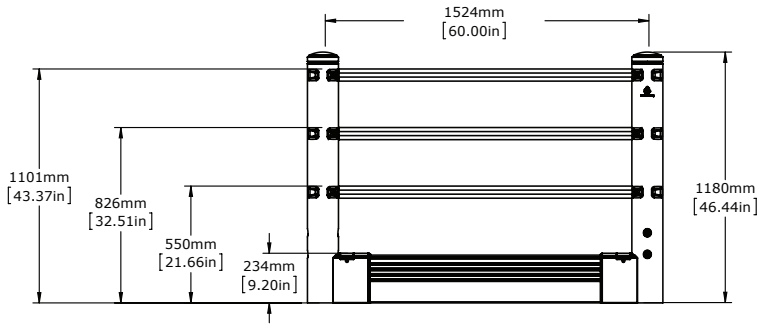


Pedestrian Barrier integrated with Crash Barrier System to provide an extra level of protection

Provides uncoupled installation so the Crash Barrier can be added to any Pedestrian Barrier run, allowing flexibility in designing your space



Increases employee safety by providing protection from low forks & pallets



Crash Barrier Post End

CB-K-PSE-307

Materials: Ductile Iron post end & cap, rubber damper, anchor kit

\$140.00 | 1–99

\$120.00 | 100+

Barrier

CB-C-CMB-307

Material: Polyolefin

Cut to length per 60" assembly

\$115.00 | 1–99

\$100.00 | 100+



Our fully modular system can incorporate Crash Barrier or a gate to help keep employees safe.

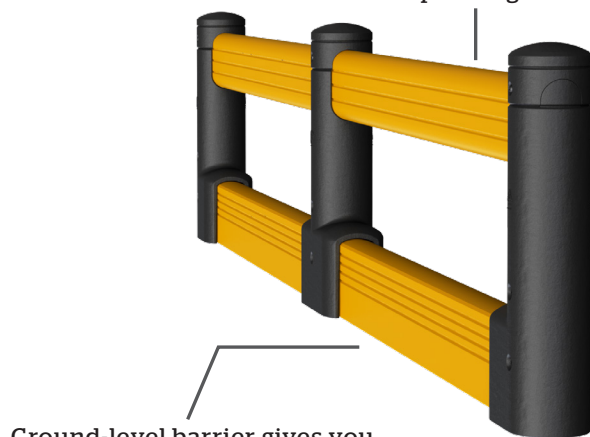
FlexCore GuardRail

Guardrail Safety Barrier



A flexible guardrail system with impact-absorbing uprights

Eliminate the need for scraping, painting and repainting

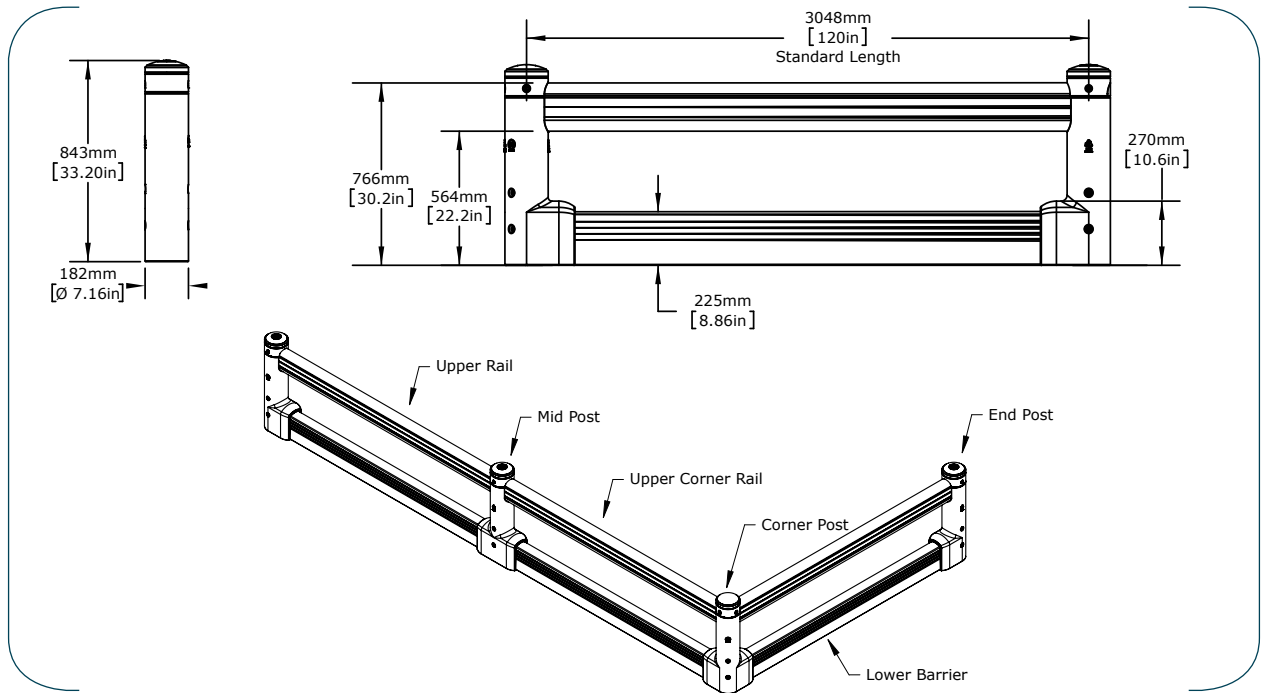


Ground-level barrier gives you complete protection

Modular design with hidden hardware



Our easily installed barrier system is designed for areas that need an extra level of protection



End Post

GR-K-END-401
Hardware included

\$230.00 | 1–24
\$200.00 | 25+

Mid Post

GR-K-MID-401
Hardware included

\$258.75 | 1–24
\$225.00 | 25+

Corner Post

GR-K-CNR-401
Hardware included

\$281.75 | 1–24
\$245.00 | 25+

10' Upper Rail

GR-C-RAL-307
Material: Polyolefin Copolymer

\$225.00 | 1–24
\$200.00 | 25+

10' Upper Rail For Corner

GR-C-LCR-307
Material: Polyolefin Copolymer
Single end mitre cut for corner post

\$281.75 | 1–24
\$245.00 | 25+

10' Lower Barrier

GR-C-EXT-307
Material: Polyolefin Copolymer

\$225.00 | 1–24
\$200.00 | 25+

Systems Protector

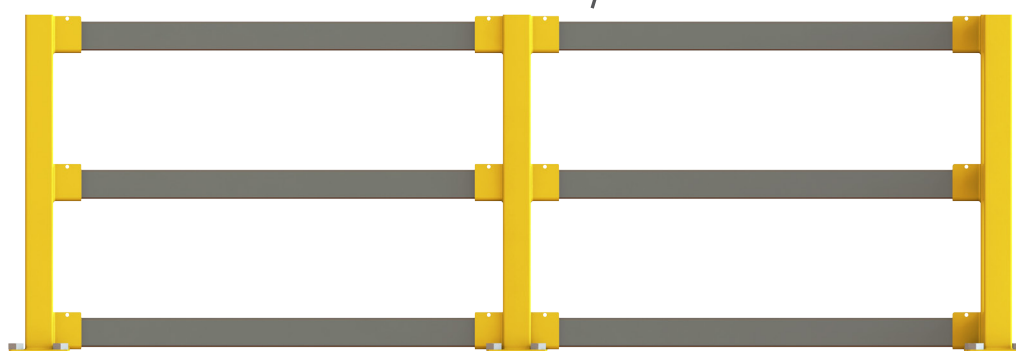
Protects Essential Systems While Maintaining Accessibility



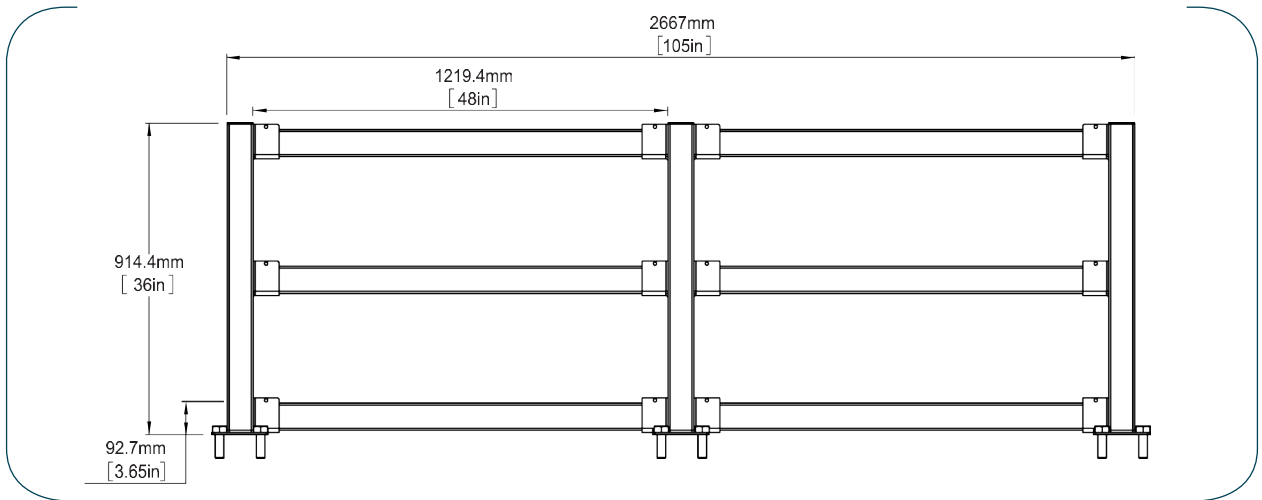
Provides reliable protection and accessibility for repairs and preventative maintenance

Heavy-duty steel construction with safety yellow powder coat finish is impact resistant to warehouse equipment

Steel cross members safely protect critical systems, yet easily removed to allow access for maintenance and service



Self-threading concrete anchors eliminate the need for messy adhesives or cement



36" End Uprights

CSSYP-36E-KIT

Hardware included—all uprights ship with 4 concrete anchors

\$248.89 | 1–24

\$216.43 | 25+

Box Rail 8' Length

CSB-96

Zinc electroplated steel

\$66.47 | 1–24

\$57.80 | 25+

36" Middle Uprights

CSSYP-36M-KIT

Hardware included—all uprights ship with 4 concrete anchors

\$281.78 | 1–24

\$245.03 | 25+

5/8 inch Concrete Anchor

CS-HARDWARE-5830

3 inches long, self threading & with anti-rotation serrations to prevent back-out

Red Head 5/8" x 3" LDT

\$3.35

36" Corner Uprights

CSSYP-36C-KIT

Hardware included—all uprights ship with 4 concrete anchors

\$281.78 | 1–24

\$245.03 | 25+

24" & 48" Systems Protector Heights

Call for pricing and details.

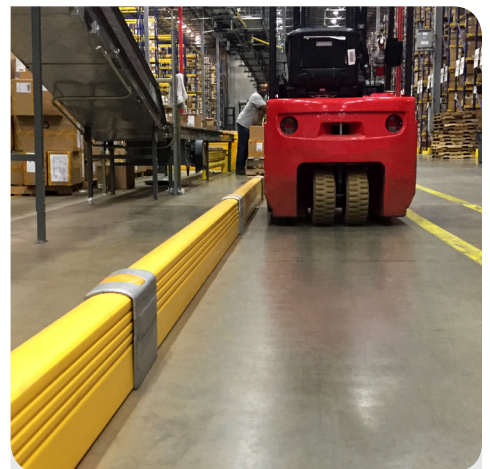
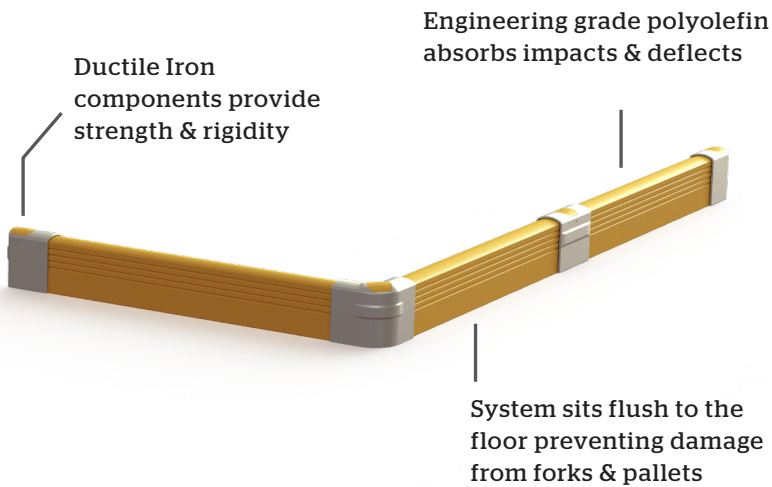
Crash Barrier System

Floor-Mounted Barrier System

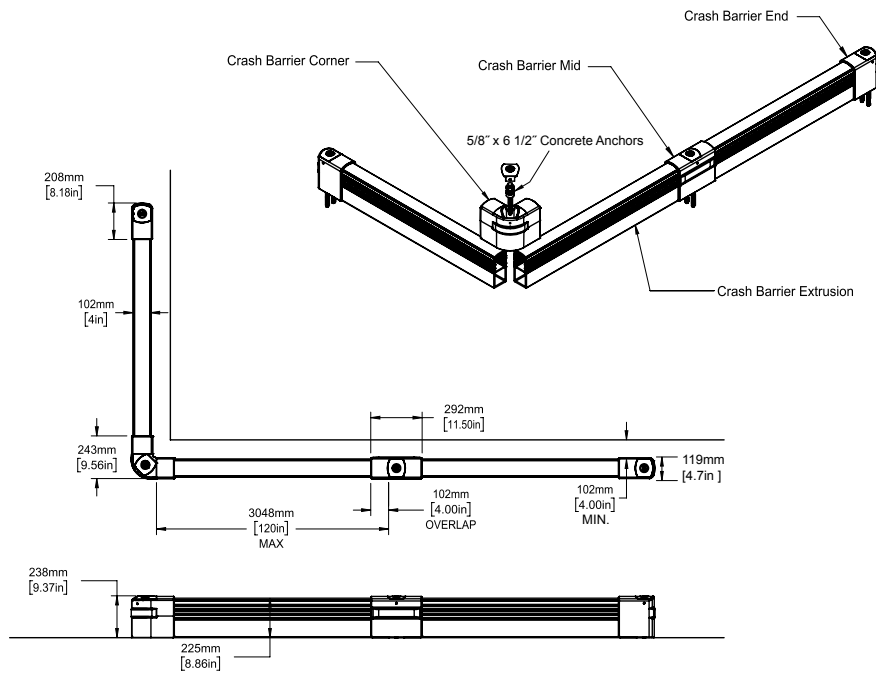


No more angle iron!

Protect your perimeter, racks, columns and define spaces safely



No need to repaint, the outer shell color is consistent throughout. Horizontal ribs mask abrasions.



Crash Barrier End

- CB-K-END-307 (End)
- CB-K-MID-307 (Middle)
- CB-K-CNR-307 (Corner)
- CB-K-PSE-307 (Post End)

Post Ends used with Pedestrian Barrier with Crash Barrier.

Materials: Ductile Iron, rubber damper, anchor kit

\$140.00 | 1–99

\$120.00 | 100+

Barrier

CB-C-EXT-307

Material: Polyolefin, 10' (3 m) length

\$225.00 | 1–99

\$200.00 | 100+

Cap

CB-C-CAP-307

Material: Polyolefin

\$1.50 | 1–99

\$1.25 | 100+

Rack End Protector

High Visibility Rack End Protection

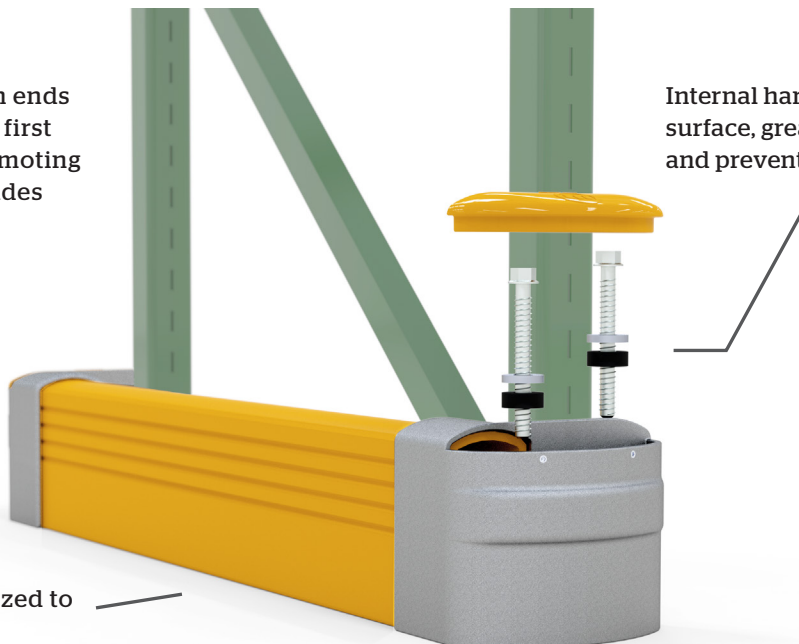


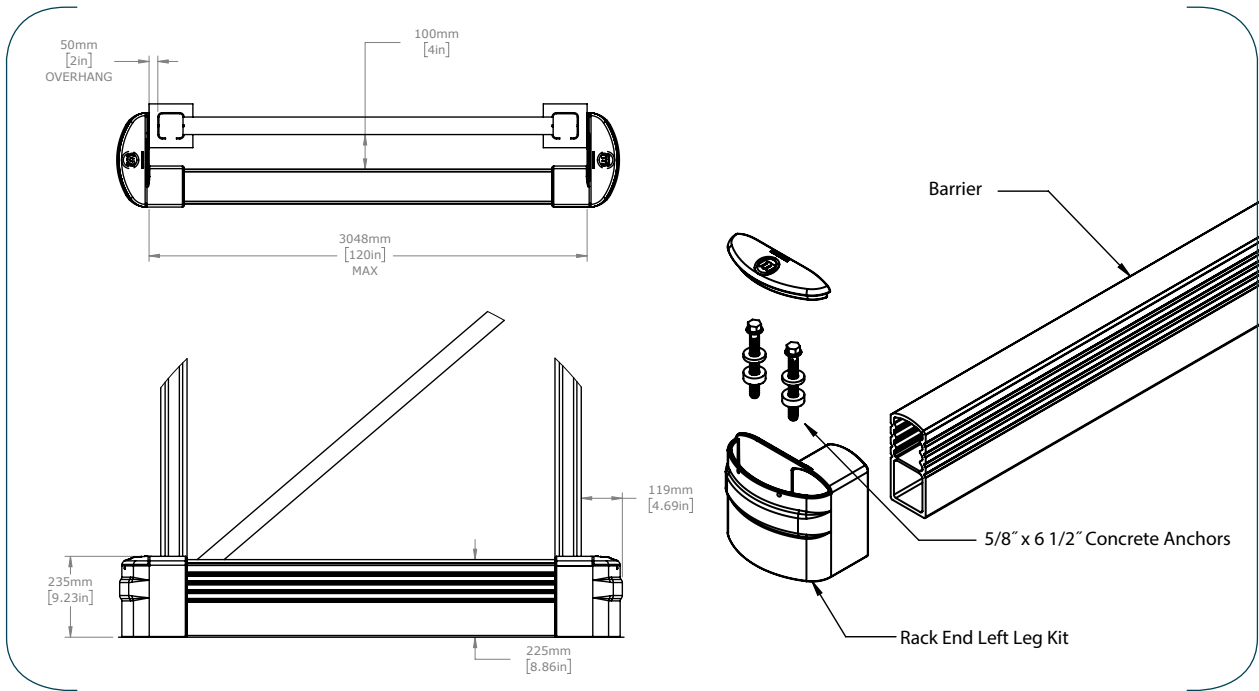
Absorbs impacts in the middle ... Deflects impacts on the ends

Half round Ductile Iron ends protect the vulnerable first racking upright by promoting glancing blows & provides maximum strength

Internal hardware provides a smooth surface, greater strength & longevity and prevents equipment snag points

Length can be customized to fit any racking bay





Rack End Protector Kit

RE-K-LRC-307

Includes: 10' (3 m) length barrier, right leg & left leg

\$575.00 | 1-24

\$490.00 | 25+

Rack End Left Leg

RE-K-LFT-307 (Left)

RE-K-RHT-307 (Right)

Materials: Ductile Iron leg & cap, Rack End, rubber damper, anchor kit

\$175.00 | 1-24

\$145.00 | 25+

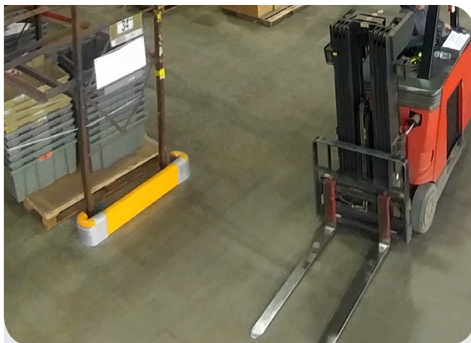
Barrier

CB-C-EXT-307

Material: Polyolefin, 10' (3 m) length

\$225.00 | 1-24

\$200.00 | 25+



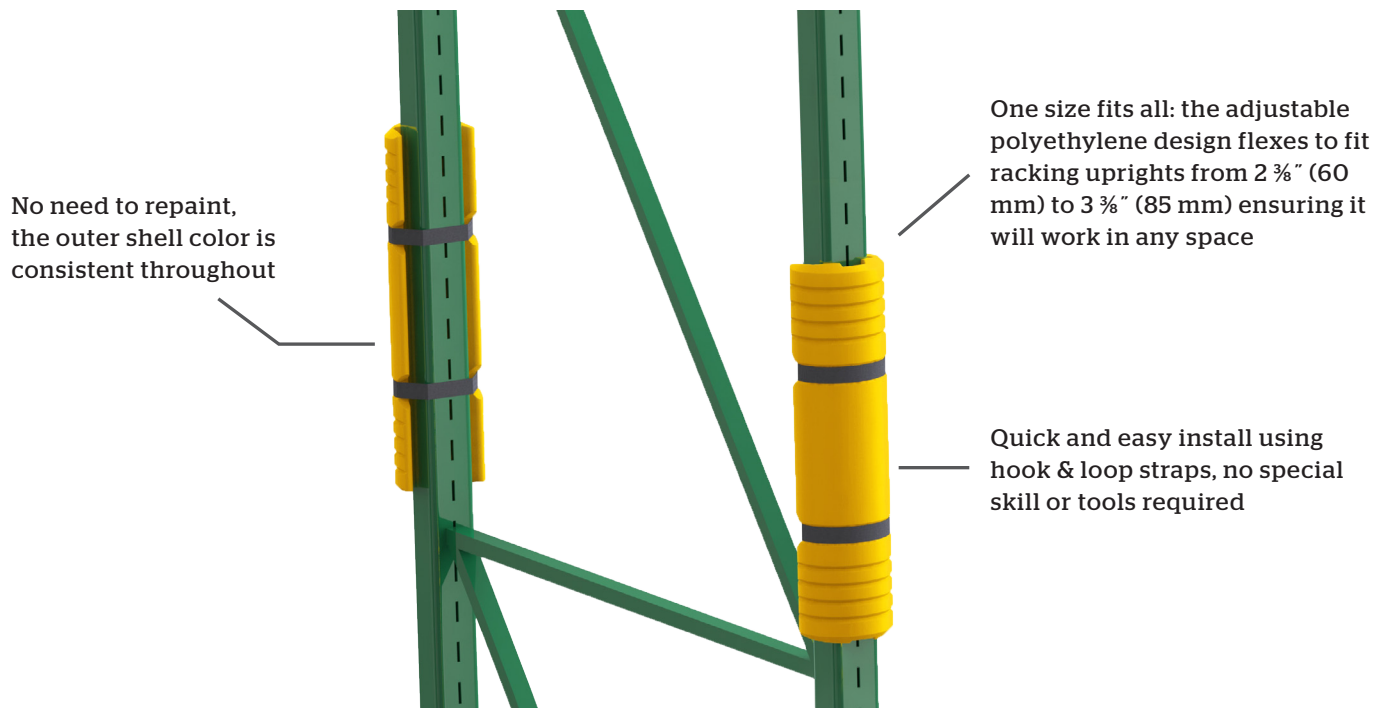
Shock absorbing barrier absorbs impacts perpendicular to the rack end.

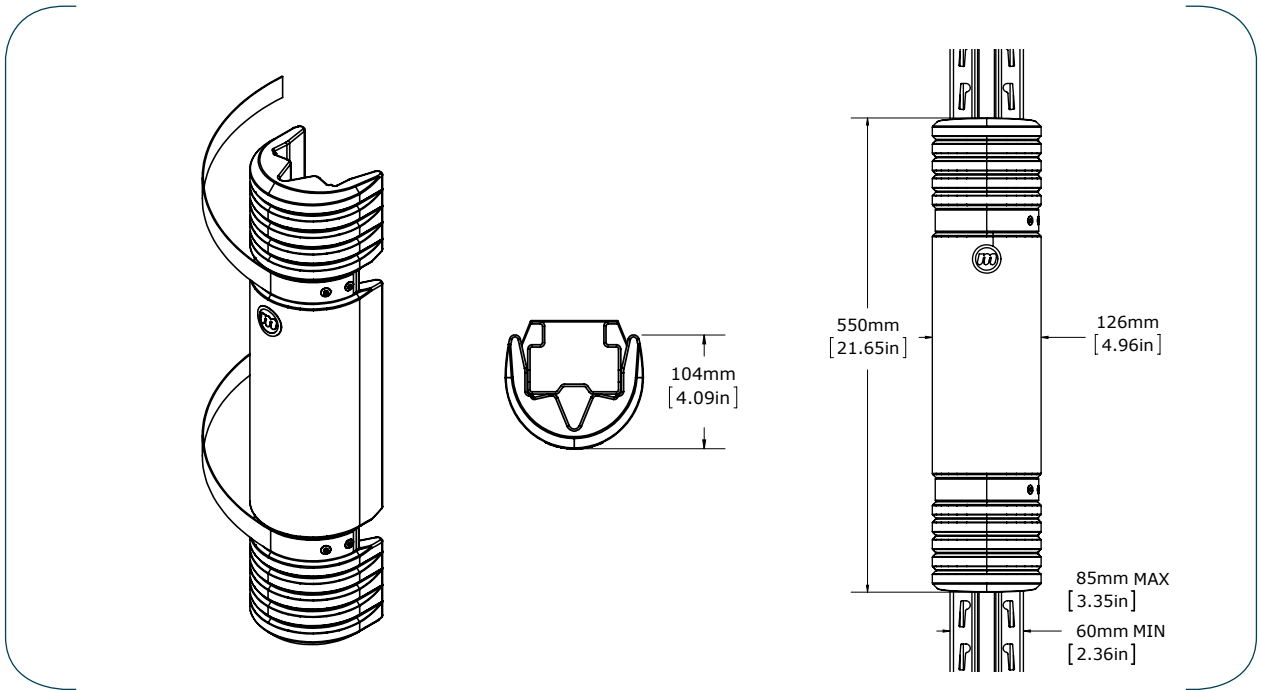
Rack Mounted Guard

Strap-On Impact Protection for Racking



Flexible solution to protect your racking and its contents





Rack Mounted Guard Kit

RM-K-335-307

Materials: Polyethylene body, hook & loop straps

\$35.00



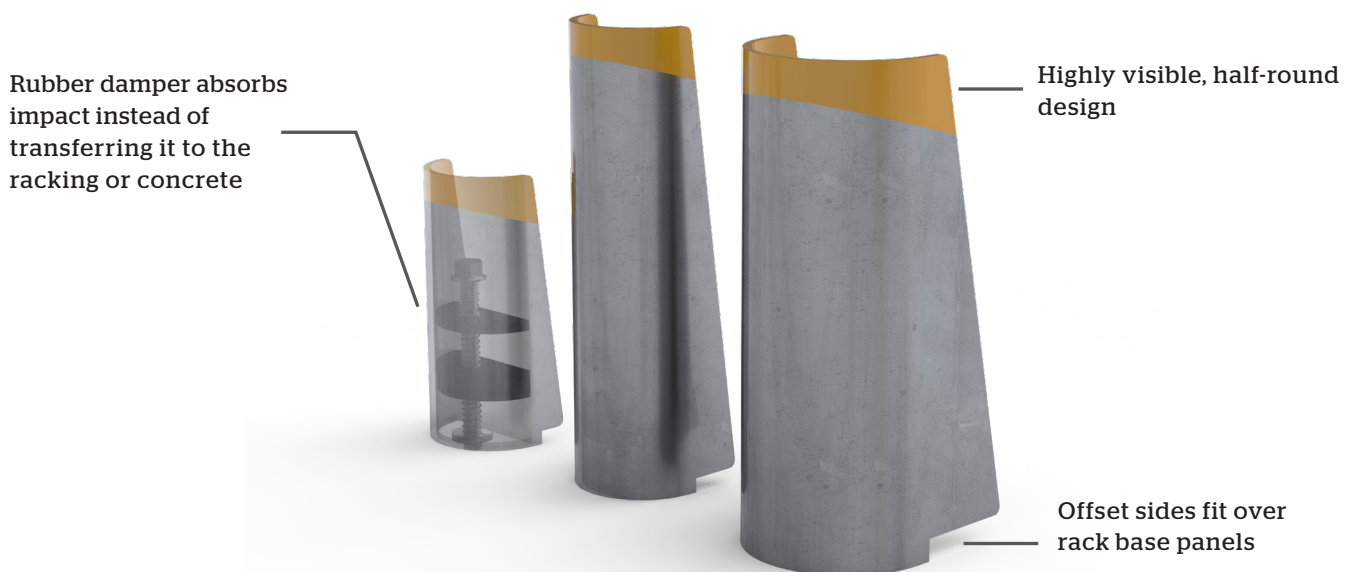
Rack Mounted Guard exceeded impact requirements of EN 15512.

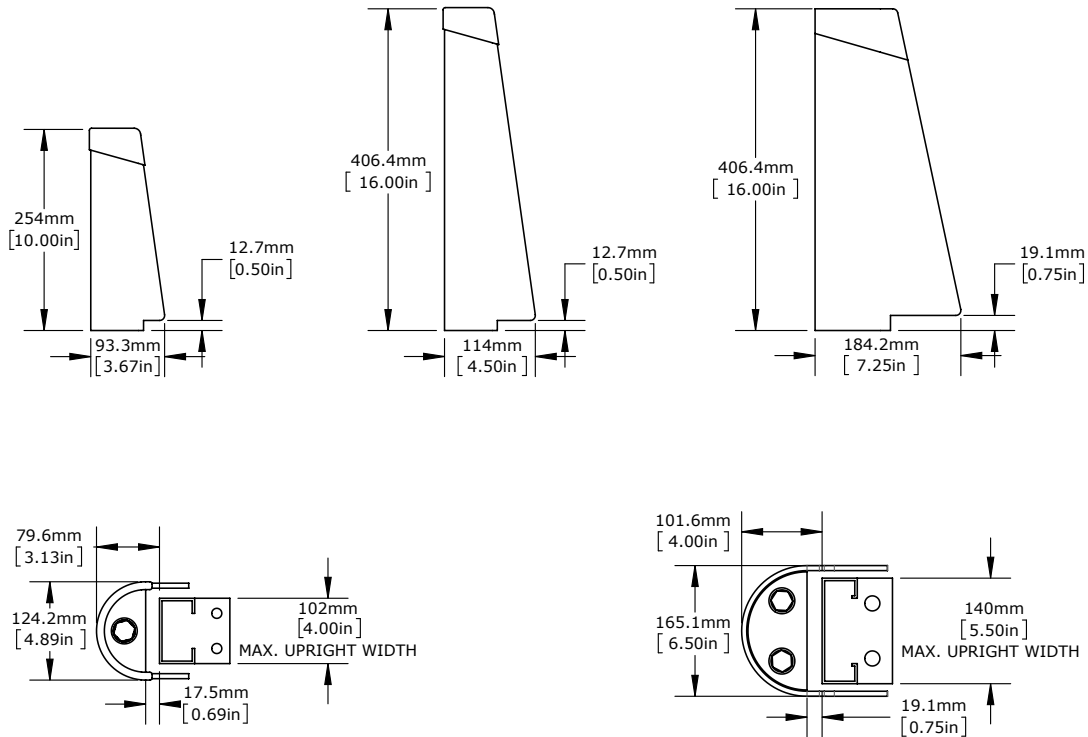
Shock-Absorbing Rack Guard

Pallet Rack Upright Protection



Heavy duty performance: Absorbs the impact energy so your racks and concrete don't





10"/250mm Rack Guard

CSRG-SHOCK-10-KIT

Materials: Zinc plated steel
Shock-Absorbing Rack Guard, rubber damper, anchor kit

\$63.25 | 1-49

\$55.00 | 50+

16"/400mm Rack Guard

CSRG-SHOCK-16-KIT

Materials: Zinc plated steel
Shock-Absorbing Rack Guard, rubber damper, anchor kit

\$69.00 | 1-49

\$60.00 | 50+



Zinc finish will not scratch off or rust leaving it looking like new.

16"/400mm Rack Guard XL

For racks wider than 4"

CSRG-SHOCK-16XL-KIT

Materials: Zinc plated steel
Shock-Absorbing Rack Guard, rubber damper, anchor kit

\$109.25 | 1-49

\$95.00 | 50+

Column Guard

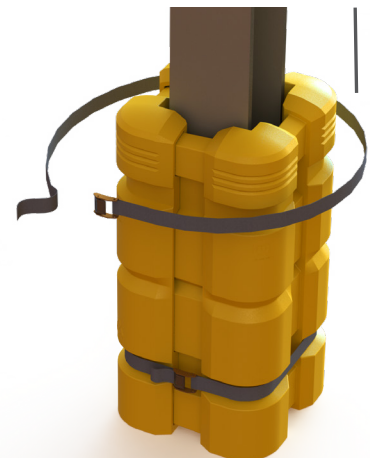
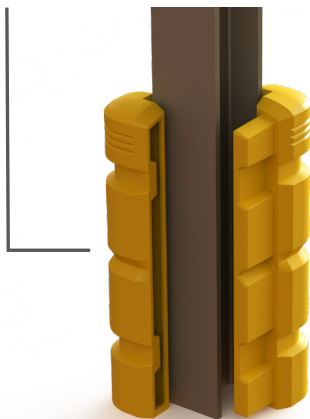
Adjustable Column Barrier

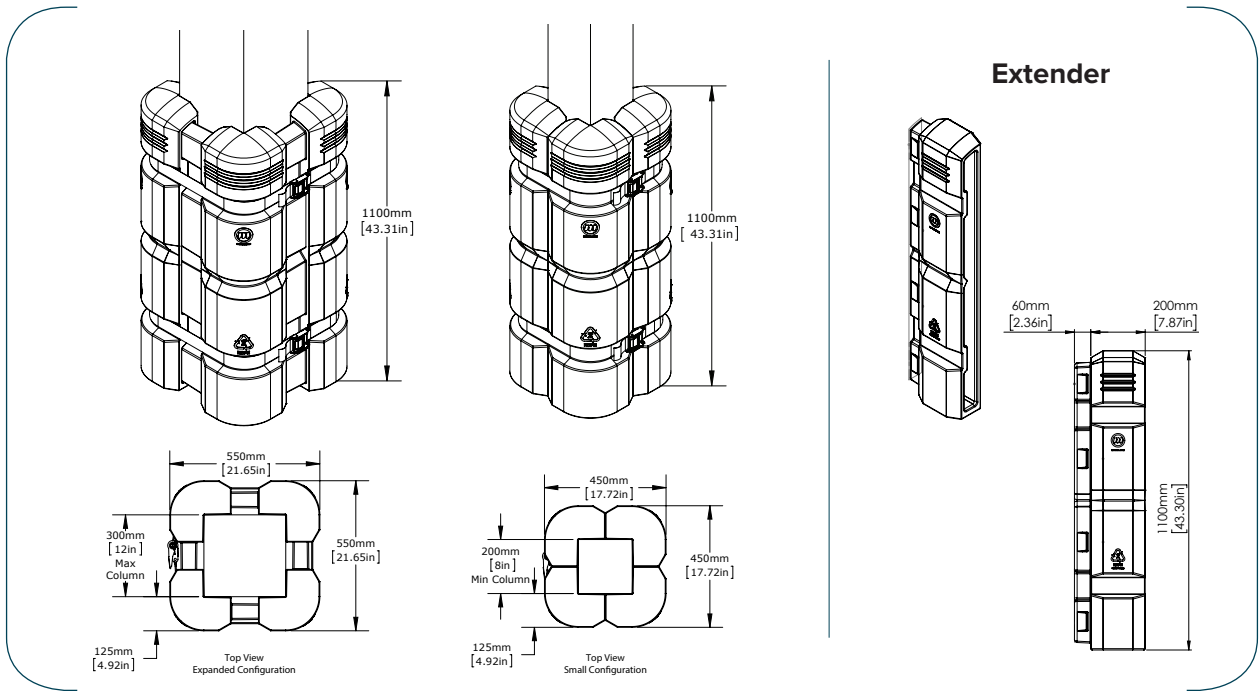


Expandable assembly protects columns of different sizes from 8" (200 mm) to 12" (300 mm)

Interlocking design provides superior impact resistance with 4 polyethylene walls vs. the conventional 2 walls for maximum strength

Easy to install straps—no special skill or tools required





Column Guard

CG-K-812-307

Materials: HDPE shell Column Guard, 2 straps

\$295.00 | 1-49

\$275.00 | 50+

Extender

CG-C-008 -307

Materials: HDPE shell Extending Piece

\$60.00 | 1-49

\$52.00 | 50+

Foam Spacers available. Call for pricing.



Shock-absorbing assembly installs securely, cushions columns, equipment & drivers during impacts.



To accommodate over-sized columns, we have extenders and foam spacers available

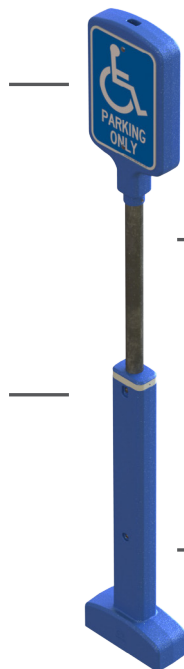
BumperSign

Flexible, Surface-Mounted Sign Post



Finally a sign engineered for strength, safety and style

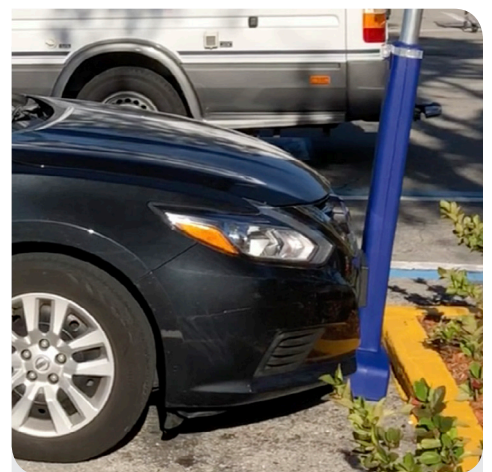
Paint-free, versatile sign for a consistent, clean appearance



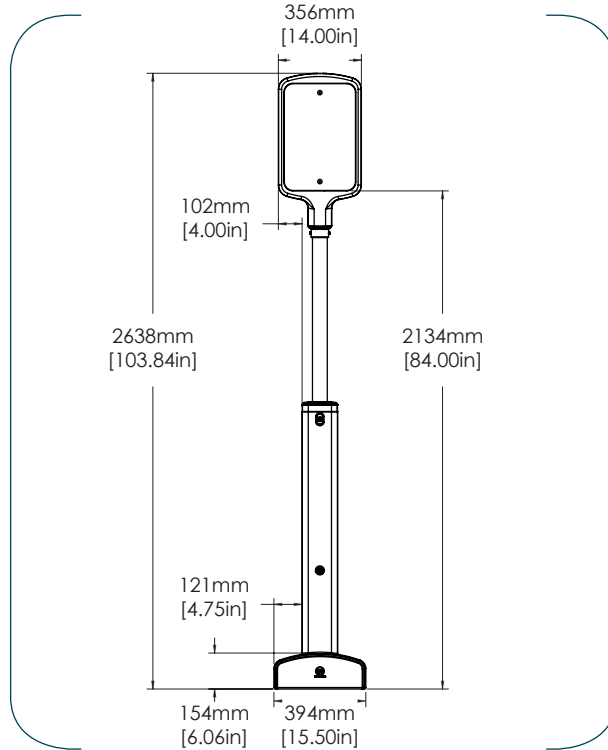
Flexes on impact

Meets ADA requirements in most regions*

Quick & easy installation in concrete or asphalt



Absorbs impact energy and deflects away from vehicles



BumperSign Kit

BS-V2-COLOR

Hardware included.
Placard not included.

\$540.50 | 1-49

\$470.00 | 50+



Standard Accessible Parking Placard

15AB034

\$12.95



Van Accessible Parking Placard

15AB035

\$12.95



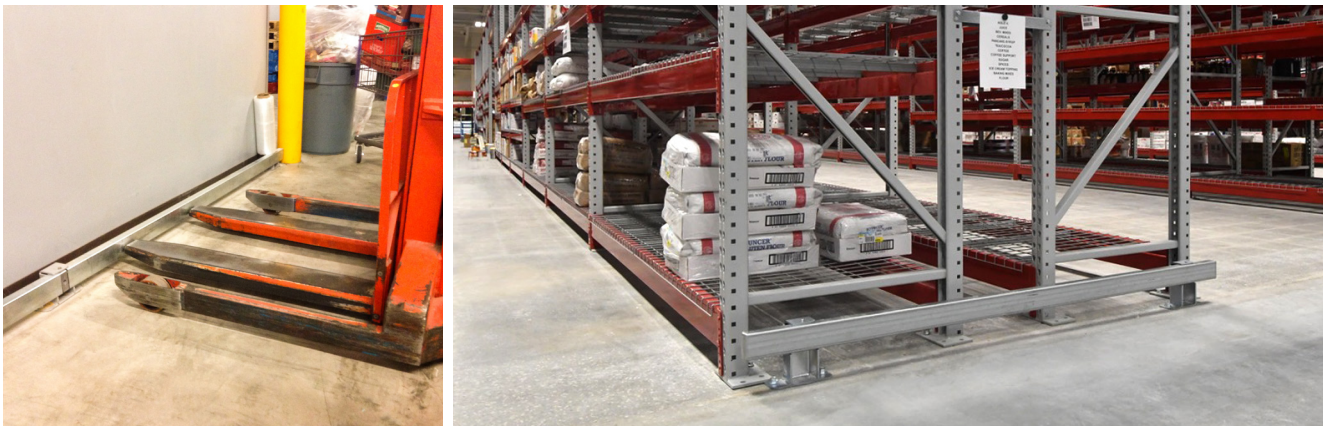
Custom Placard Options

Call for pricing and details.

McCue's extensive product line also includes...



Wall Mounted Bumper | Many different profiles available



Box Rail | Modular design for any application



Loading Door Protector | Protects overhead door when gate is down & the track when gate is up

How To Order

Our customers are the heart of our organization—and our experienced Customer Care team is always happy to assist with your inquiries and order needs.



Lead times are typically 4-8 weeks and vary by product and quantity. Please call for more details on specific products.

Office Hours

We are available Monday through Thursday from 8:30 am to 5:30 pm EST and Friday from 8:30 am to 5:00 pm EST. Call toll-free in the Continental USA (800) 800-8503 or (978) 741-8500, or e-mail us at customer care@mccue.com. A knowledgeable Customer Care Representative will be happy to help you. After hours, call the same number and leave a message. A Customer Care Representative will contact you promptly the following business day.

Terms

All orders are shipped FOB Origin. Freight charges are prepaid and added to the invoice, unless otherwise requested. Taxes, duties and fees for customs are the responsibility of the customer. For your convenience, we also accept Master Card, Visa and American Express. Our payment terms are NET 30 days from the date of invoice.

Payment Options

All prices in US dollars.

- Credit Account – 30 days subject to suitable credit ratings and references
- Electronic Bank Transfer
- Credit Card Payment

Warranties and Guarantees

We stand behind every product we offer. It's as simple as that. If a product has a defect in materials or workmanship, we will, for a period of twelve (12) months, replace the product at no cost to you. All issues will be rectified within thirty (30) days from the time you alert us there is a problem. We cannot, however, be responsible for any misuse or misapplication of our products.

Colors represented may vary due to printing. Please call to receive color samples.

Return Policy

We want you to love your McCue product. If you are not fully satisfied with your purchase, you can apply for a refund within 14 days of receipt of goods. **Returns will only be accepted with prior authorization from a McCue Customer Care representative.**

Returned products must be suitably packaged and in a condition fit for re-sale. Returns will be subject to a 15% handling and administration charge and shipping is the responsibility of the customer. We, unfortunately, cannot accept return of custom color or cut products. If you have questions regarding our policy or feel that you have a unique situation, please contact a McCue Customer Care Representative to discuss. We're committed to working with you.



US: +1 800 800 8503 | 8:30am-5:30pm EST

UK: +44 1908 365 511 | 8:00am-5:30pm GMT



Chat with us online at [mccue.com](https://www.mccue.com)

US: 8:30-5:30 EST | UK: 8:00-5:30 GMT



US: customer care@mccue.com

UK: uksales@mccue.com



We're social, follow us!

McCue Corporation

Danvers, MA 01923, USA
+1 (800) 800 8503
customer@mcusercontent.com

McCue UK & Europe

Milton Keynes, United Kingdom
+44 (0)1908 365 511
uksales@mcusercontent.com

McCue Asia

迈客(厦门)有限公司
Xiamen, Fujian, China
+86-592-2200790

mcusercontent.com

